

GENERAL NOTES:

1. ALL FASTENERS SHALL BE IN ACCORDANCE WITH THESE DRAWINGS. SPECIFIED ANCHOR EMBED TO BASE MATERIAL SHALL BE BEYOND WALL FINISH OR STUCCO.
2. OPENINGS, BUCKING & BUCKING FASTENERS MUST BE PROPERLY DESIGNED & INSTALLED TO TRANSFER WIND LOADS TO THE STRUCTURE.
3. THESE NON-IMPACT RATED PRODUCT INSTALLATIONS ARE IN ACCORDANCE WITH AND MEET THE REQUIREMENTS OF THE FLORIDA BUILDING CODE (FBC).
4. ALL ANCHORS SECURING PRODUCT FRAMES TO PRESSURE TREATED BUCKS OR WOOD FRAMING SHALL BE CAPABLE OF RESISTING CORROSION CAUSED BY THE PRESSURE TREATING CHEMICALS IN THE WOOD.
5. MATERIALS, INCLUDING BUT NOT LIMITED TO STEEL SCREWS, THAT COME INTO CONTACT WITH OTHER DISSIMILAR MATERIALS SHALL MEET THE REQUIREMENTS OF FLORIDA BUILDING CODE CHAPTER 20.
6. TO THE BEST OF OUR KNOWLEDGE, THE PRODUCT SHOWN HEREIN IS CERTIFIED & QUALITY ASSURED BY A FLORIDA STATE APPROVED CERTIFICATION/OA ENTITY & SHALL BE LABELED IN ACCORDANCE WITH THE FBC AND THE FLORIDA DEPARTMENT OF BUSINESS & PROFESSIONAL REGULATION SPECIFICATIONS. PRODUCT ASSEMBLY IS NOT PART OF THIS DRAWING AND SHALL BE IN ACCORDANCE WITH THE MANUFACTURER'S QUALITY ASSURANCE SPECIFICATIONS & TESTING REPORTS.
7. CERTIFICATION OF THESE PRODUCT INSTALLATIONS SHALL BE CONSIDERED VOID IF ANY OF THE FOLLOWING APPLY: 1) PRODUCT IS INSTALLED WITHOUT A BUILDING PERMIT FROM THE APPLICABLE LOCAL BUILDING DEPARTMENT. 2) PRODUCT IS INSTALLED BY ANYONE OTHER THAN A LICENSED CONTRACTOR EXPERIENCED WITH INSTALLATIONS OF THIS TYPE OF PRODUCT. 3) IF CHANGES HAVE OCCURRED TO THE PRODUCT'S CERTIFICATION ENTITY'S CERTIFICATE THAT CAUSED THESE INSTALLATIONS TO BE INCORRECT OR INCONSISTENT WITH WHAT HAS BEEN TESTED.
8. THE LEAST DESIGN PRESSURE SPECIFIED EITHER IN THIS DRAWING OR IN THE PRODUCTS CERTIFICATION SHALL CONTROL FOR THE INSTALLED PRODUCT.
9. THESE DRAWINGS CERTIFY THE PRODUCT INSTALLATION ONLY. WATER PROOFING OF THE INSTALLED PRODUCT IS NOT PART OF THIS INSTALLATION CERTIFICATION. THAT RESPONSIBILITY SHALL BE THAT OF THE MANUFACTURER &/OR INSTALLER.

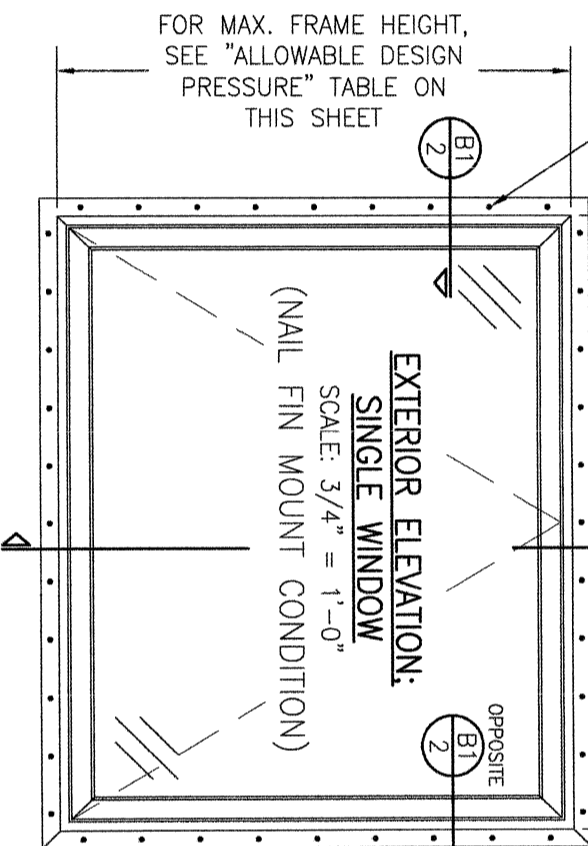
INSTALLATION EVALUATION IS BASED ON APPLICABLE ANCHOR STANDARDS AND/OR INFORMATION & RESULTS FROM APPLICABLE TEST REPORTS. THE FLORIDA BUILDING CODE VERSION CONSIDERED WITH THE EVALUATION WAS THAT IN FORCE AT THE TIME OF THE EVALUATION. IN THE EVENT OF CODE VERSION CHANGES/UPDATES OR IN THE EVENT THAT NEW OR ADDITIONAL TESTING IS COMPLETED ON THE REFERENCED PRODUCT, PRIOR TO STATING CODE COMPLIANCE WITH THE STATE, THE MANUFACTURER SHALL CONFIRM WITH THE INSTALLATION EVALUATION ENGINEER OF RECORD THAT THE INSTALLATIONS SPECIFIED HERE-IN ARE CURRENT WITH THE THEN CURRENT TESTING, CODE AND APPLICABLE STANDARDS.

FRAME ANCHOR REQUIREMENTS TABLE

OPENING TYPE (SUBSTRATE)	FRAME/CLIP/NAIL FIN TO OPENING FASTENER TYPE	MINIMUM EMBED	MINIMUM EDGE DIST.
FRAME SCREWS			
MIN. 2X4 WOOD FRAME OR BUCK (MIN. GR. 3 & G=0.55)	NO. 10 SMS OR WOOD SCREW	1 1/4"	3/4"
MIN. 18 GA. 33 KSI METAL STUD	NO. 10 GR. 5 SELF TAP/DRILL SCREW	FULL	1/2"
MIN. 1/8" THK A36 STEEL	NO. 10 GR. 5 SELF TAP/DRILL SCREW	FULL	1/2"
MIN. 1/8" THK A36 STEEL	NO. 10 GR. 5 SELF TAP/DRILL SCREW	FULL	1/2"
C-90 CMU/2500 PSI CONCRETE	(1) 1/4" CONCRETE SCREW	1 1/4"	2"
(2) INSTALLATION CLIP SCREWS (BENT & 3-PIECE CLIPS)			
MIN. 2X4 WOOD FRAME OR BUCK (MIN. GR. 3 & G=0.55)	NO. 8 X 1 1/2" SMS	1 3/8"	(2) N/A
MIN. 1/8" THK A36 STEEL	NO. 8 GR. 5 SELF TAP/DRILL SCREW	FULL	(2) N/A
MIN. 1/8" THK A36 STEEL	NO. 8 GR. 5 SELF TAP/DRILL SCREW	FULL	(2) N/A
INSTALLATION CLIP SCREWS (STRAIGHT CLIPS)			
MIN. 2X6 WOOD FRAME OR BUCK (MIN. GR. 3 & G=0.55)	NO. 8 X 1 1/2" SMS	1 3/8"	3/4"
MIN. 18 GA. 33 KSI METAL STUD	NO. 8 GR. 5 SELF TAP/DRILL SCREW	FULL	1/2"
MIN. 1/8" THK A36 STEEL	NO. 8 GR. 5 SELF TAP/DRILL SCREW	FULL	1/2"
MIN. 1/8" THK A36 STEEL	NO. 8 GR. 5 SELF TAP/DRILL SCREW	FULL	1/2"
(3) NAILING FIN FASTENERS			
MIN. 2X4 WOOD FRAME OR BUCK (MIN. GR. 3 & G=0.55)	NO. 8 X 1 1/2" SMS	1 3/8"	1/2"
MIN. 2X4 WOOD FRAME OR BUCK (MIN. GR. 3 & G=0.55)	11 GA. ROOFING NAIL	1 3/8"	1/2"
MIN. 1/8" THK A36 STEEL	NO. 8 GR. 5 SELF TAP/DRILL SCREW	FULL	1/2"
MIN. 1/8" THK A36 STEEL	NO. 8 GR. 5 SELF TAP/DRILL SCREW	FULL	1/2"

FIN FASTENER WITHIN 2" OF CORNERS & 5" TO 7" MAX. O.C. SEE "FRAME ANCHOR REQUIREMENTS TABLE" ON THIS SHEET FOR REQUIREMENTS.

FOR MAX. FRAME WIDTH, SEE "ALLOWABLE DESIGN PRESSURE" TABLE ON THIS SHEET

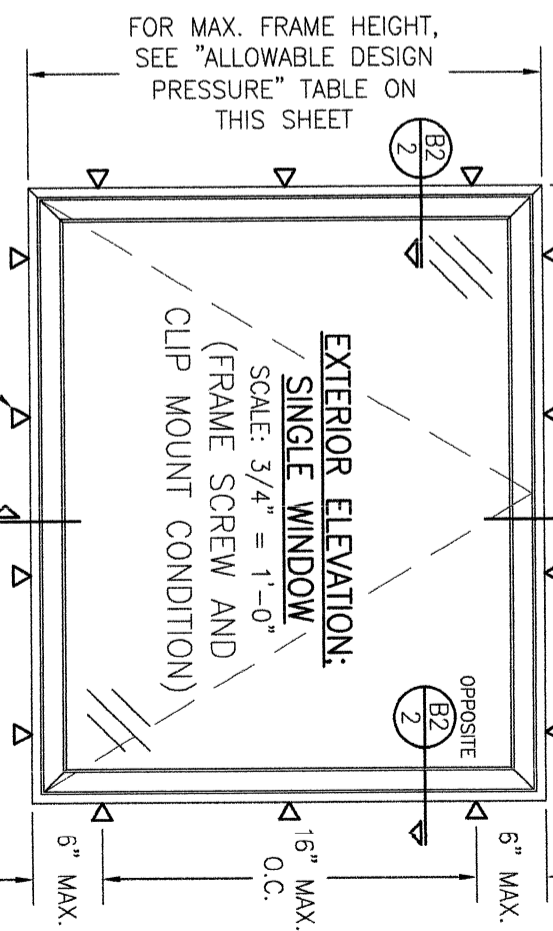


FOR MAX. FRAME WIDTH, SEE "ALLOWABLE DESIGN PRESSURE" TABLE ON THIS SHEET

6" MAX. O.C. (HEAD & SILL)

6" MAX.

6" MAX.



FRAME SCREWS OR INSTALLATION CLIPS WHERE SHOWN. SEE "FRAME ANCHOR REQUIREMENTS TABLE" ON THIS SHEET FOR REQUIREMENTS. NOTE: SEE "ALTERNATE 3-PIECE CLIP DETAIL" ON SHEET 3 FOR SPECIAL CONDITIONS OF 3-PIECE CLIPS.

EDGE DISTANCE MAY BE DECREASED TO 1/2" IF SCREWS ARE ANGLED 15 TO 20 DEGREES AWAY FROM THE EDGE.

ANCHOR/SUBSTRATE EVALUATION NOTE:
ALL ANCHORS IN THEIR SPECIFIED SUBSTRATES HAVE BEEN ANALYZED IN ACCORDANCE WITH THEIR APPLICABLE STANDARD(S) AND ARE FOUND TO BE CAPABLE OF SUPPORTING ALL LOADS IMPOSED ON THEM UNDER THE GUIDELINES OF THIS DOCUMENT. ANY SUBSTRATES OR CONDITIONS OUTSIDE OF WHAT IS SHOWN HERE-IN SHALL BE SUBJECT TO JOB SPECIFIC ENGINEER'S REVIEW & CERTIFICATION.

INSTALLATION NOTE:
WHEN NECESSARY, INSTALLATION METHODS MAY BE MIXED WITH ANY ONE WINDOW SUCH THAT INDIVIDUAL SIDES OF THE WINDOW MAY USE ONE OR THE OTHER ANCHOR METHOD (EXAMPLE: SILL MAY USE FRAME SCREWS METHOD WHILE OTHER SIDES USE FIN)

ALLOWABLE DESIGN PRESSURE

MAX. FRAME WIDTH (IN.)	MAX. FRAME HEIGHT (IN.)	ALLOWABLE PRESSURE (+/- PSF)
53	35	50
59	73	30

PRESSURE SHOWN IN THIS TABLE IS FOR INSTALLATION CONDITIONS ONLY. THE GOVERNING DESIGN PRESSURE ON THE WINDOWS SHALL BE THE LESSER OF THAT SHOWN IN THE INDIVIDUAL WINDOW'S STATE APPROVAL OR THAT SHOWN IN THIS TABLE.

NO.	REVISION DESCRIPTION	BY	DATE
A1	UPDATE PER NEW TESTING	W.W.S.	05/28/18
B1	CHANGE DRAWING TITLE	W.W.S.	01/31/19
C1	ADDED NEW INSTALL CLIP OPTION	W.W.S.	06/05/24



PELLA CORPORATION
102 MAIN STREET
PELLA, IA 50219
641-621-1000

DRAWING TITLE: ARCHITECT CONTEMPORARY/LIFESTYLE W/O HGP NON-IMPACT AWNING & LARGE AWNING WINDOWS

CONSULTANTS
W. W. SCHAEFER ENGINEERING & CONSULTING, P.A.
25601 AYSEN DRIVE
PUNTA GORDA, FL 33983
PHONE: 561-744-3424

MANUFACTURER

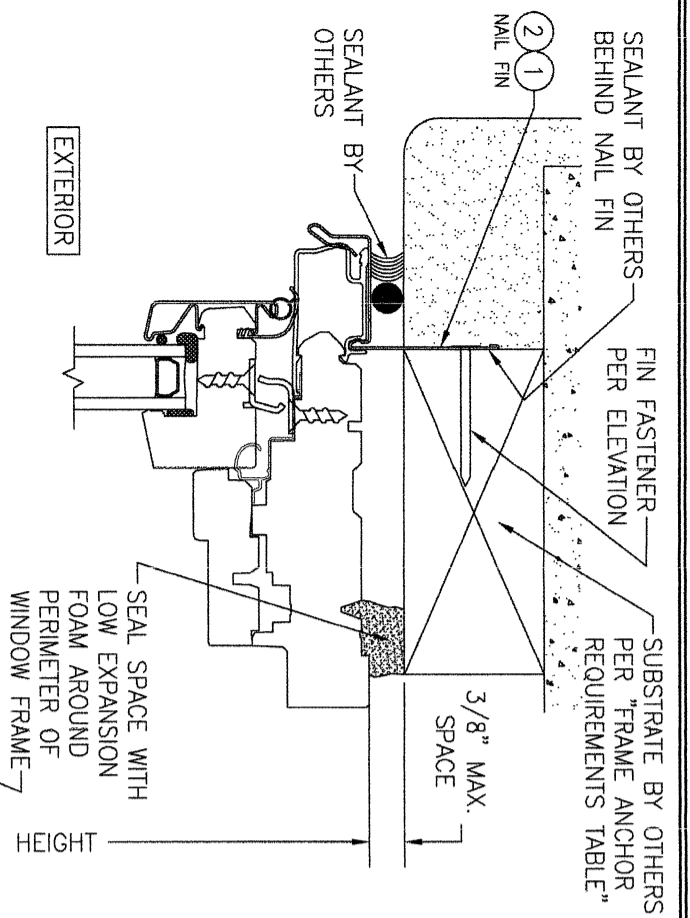
WARREN W. SCHAEFER, P.E.
P.E. NO. 44135

CERTIFICATION

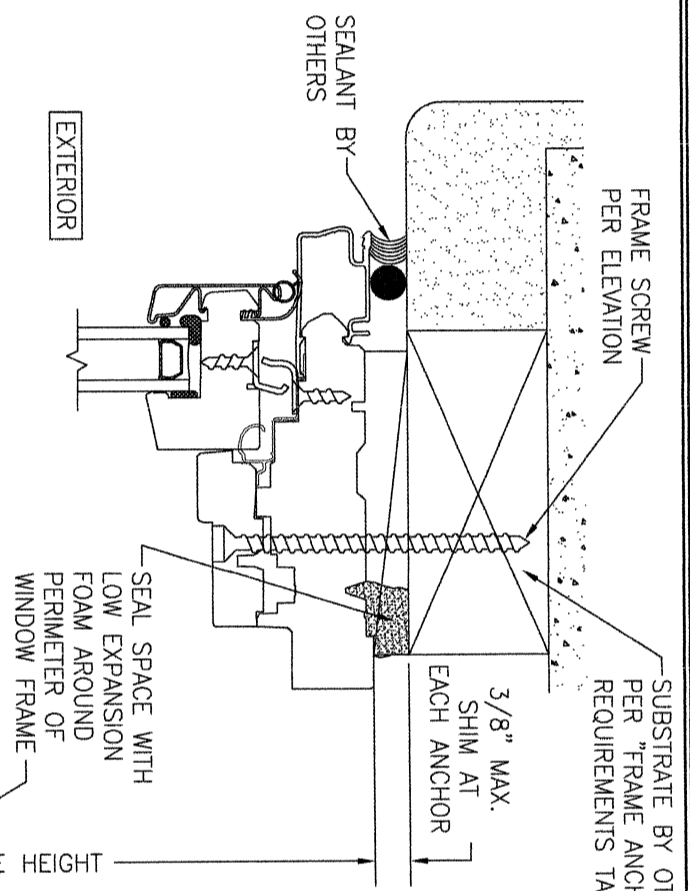
DRAWING NO. 1921
SHEET NO. 1 OF 4

THESE DRAWINGS ARE APPLICABLE ONLY TO THE PRODUCT SPECIFIED. THEY MAY NOT BE USED FOR THE ASSEMBLY AND/OR INSTALLATION OF ANY OTHER PRODUCT NOR MAY THEY BE USED FOR RATIONAL AND/OR LOCAL APPROVAL OF ANY PRODUCT NOT PRODUCED BY THE MANUFACTURER STATED ON THESE DRAWINGS.

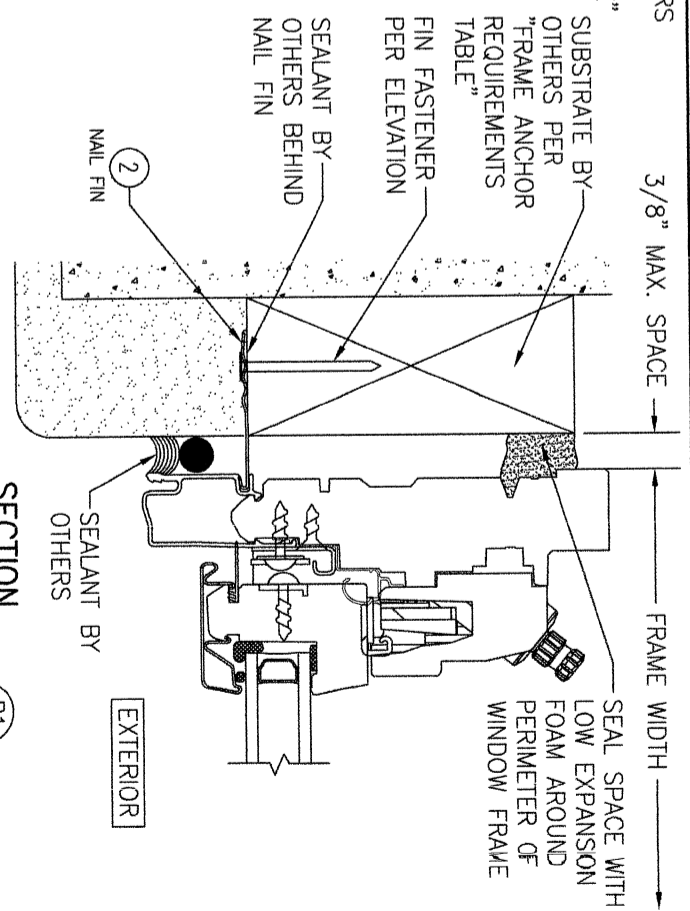
DRAWN BY: W.W.S.
CHECKED BY: W.W.S.
DATE: 06/08/16



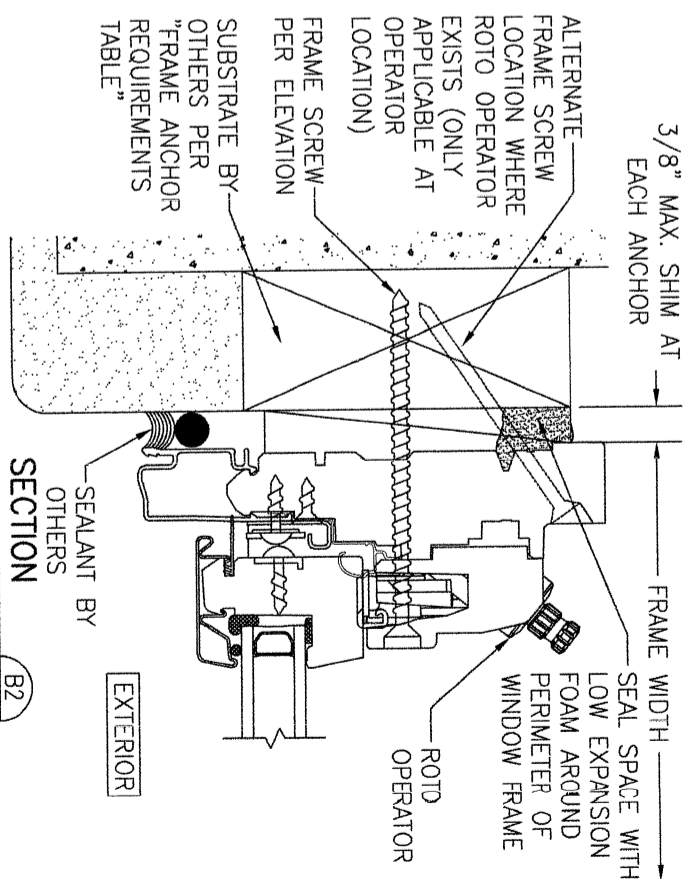
SECTION A1
SCALE: 1/2 FULL
(NAIL FIN MOUNT)



SECTION A2
SCALE: 1/2 FULL
FRAME SCREW MOUNT SHOWN. SEE DETAILS ON SHEET 3 FOR DIRECT MOUNT & CLIP MOUNT DETAILS.



SECTION B1
SCALE: 1/2 FULL
(NAIL FIN MOUNT)



SECTION B2
SCALE: 1/2 FULL
FRAME SCREW MOUNT SHOWN. SEE DETAILS ON SHEET 3 FOR DIRECT MOUNT & CLIP MOUNT DETAILS.

NO.	REVISION DESCRIPTION	BY	DATE

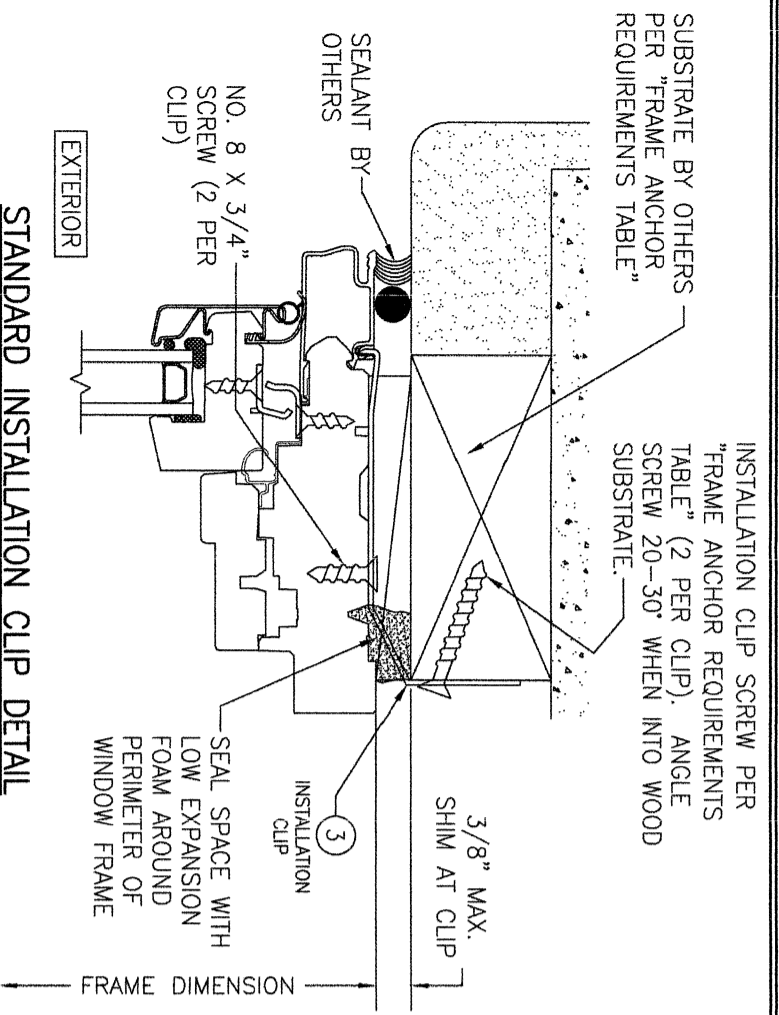
DRAWING TITLE: **ARCHITECT CONTEMPORARY/LIFESTYLE W/O HGP NON-IMPACT AWNING & LARGE AWNING WINDOWS**

CONSULTANTS: **W. W. SCHAEFER ENGINEERING & CONSULTING, P.A.**
 25601 AYSEN DRIVE
 PUNTA GORDA, FL 33983
 PHONE: 561-744-3424

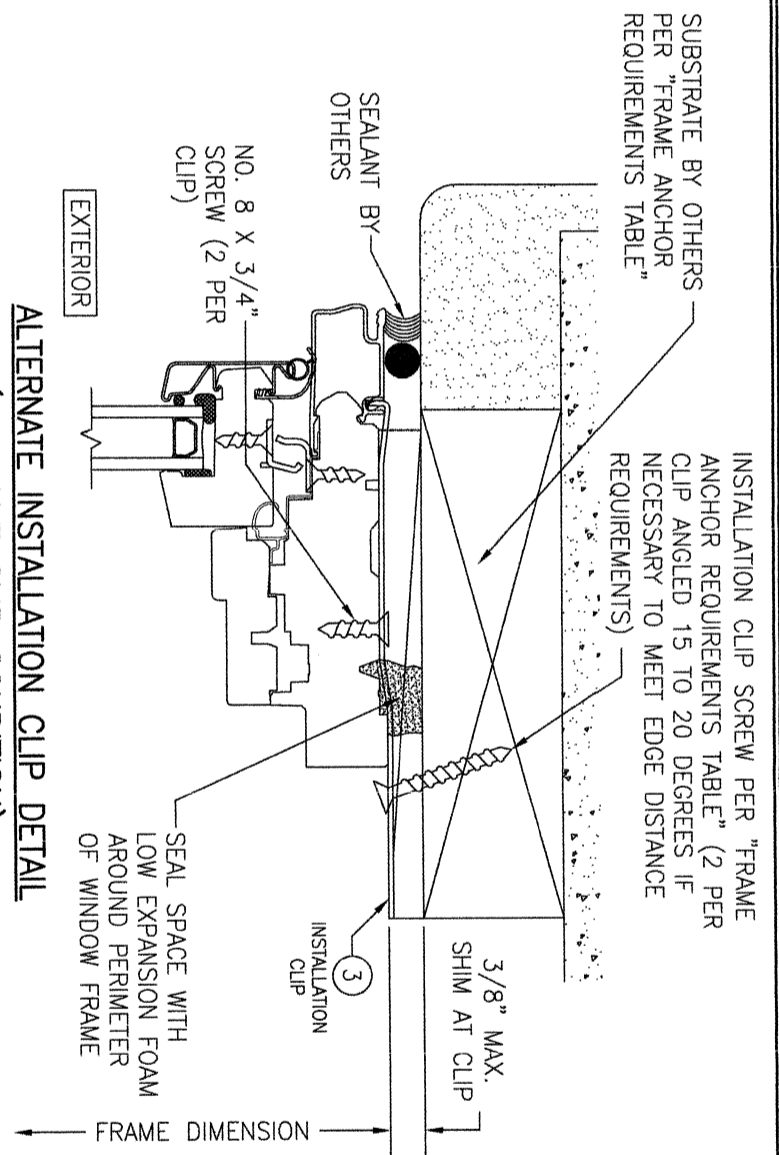
MANUFACTURER: **PELLA CORPORATION**
 102 MAIN STREET
 PELLA, IA 50219
 641-621-1000

CERTIFICATION: **WARREN W. SCHAEFER, P.E.**
 P.E. NO. 44135

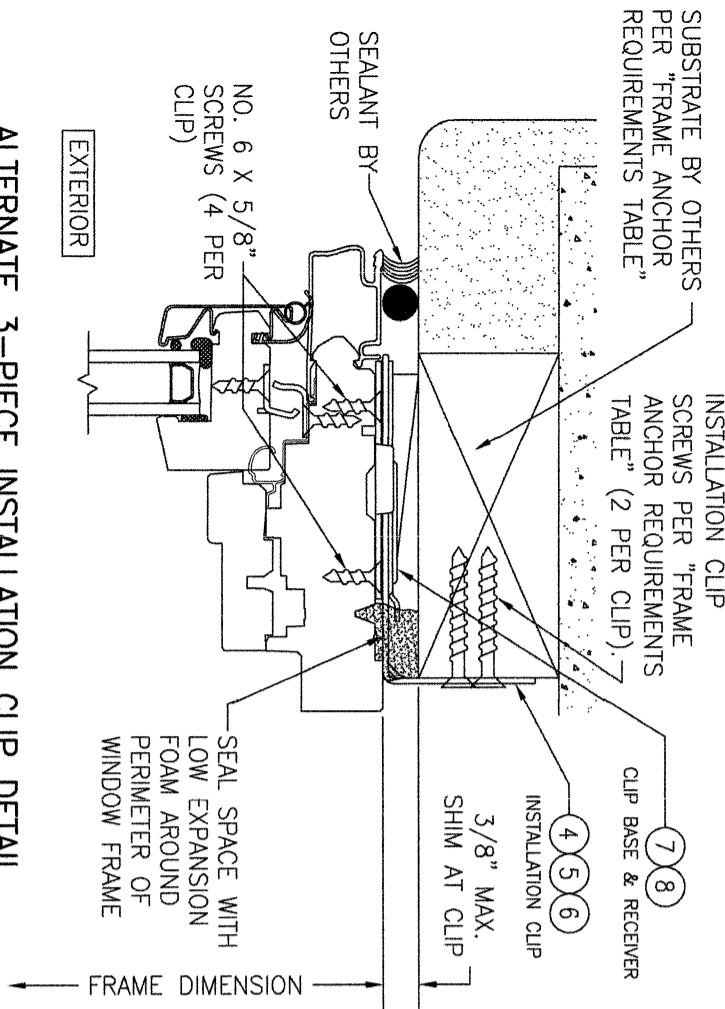
DRAWING NO.: **1921**
 REV. **C**



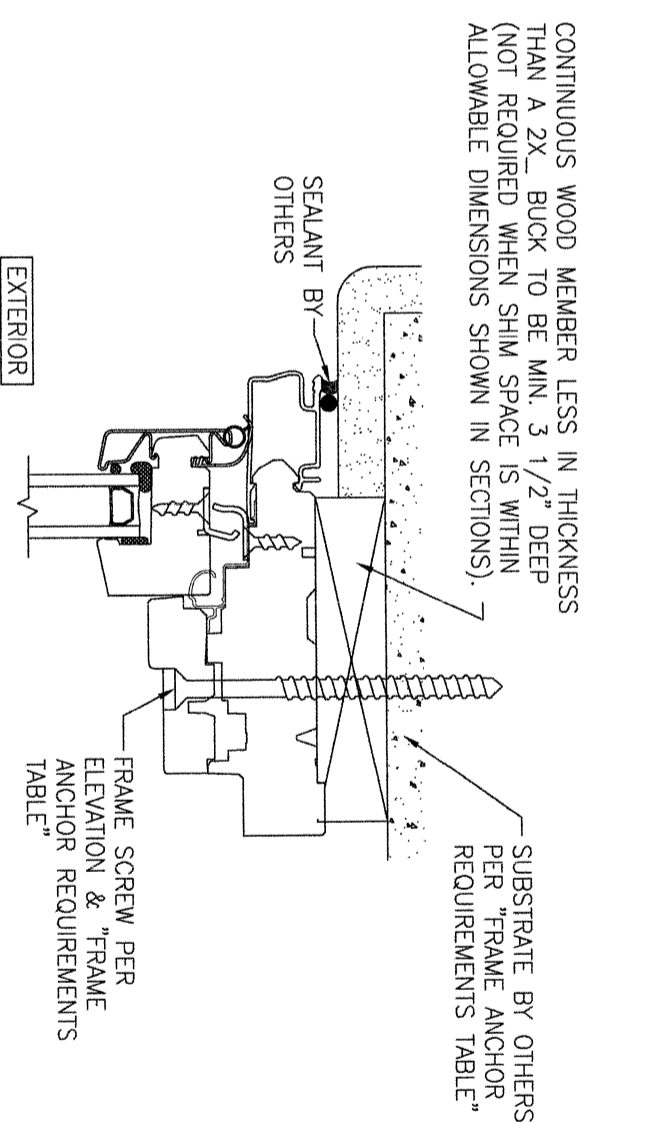
STANDARD INSTALLATION CLIP DETAIL
(BENT CLIP CONDITION)
(HEAD SECTION SHOWN; SILL & SIDES ARE INSTALLED THE SAME)
(FOR DETAIL NOT SHOWN, SEE OTHER SECTIONS)



ALTERNATE INSTALLATION CLIP DETAIL
(STRAIGHT CLIP CONDITION)
(HEAD SECTION SHOWN; SILL & SIDES ARE INSTALLED THE SAME)
(FOR DETAIL NOT SHOWN, SEE OTHER SECTIONS)




ALTERNATE 3-PIECE INSTALLATION CLIP DETAIL
(HEAD SECTION SHOWN; SILL & SIDES ARE INSTALLED THE SAME)
(FOR DETAIL NOT SHOWN, SEE OTHER SECTIONS)
NOTE: 3-PIECE CLIPS MAY ACT AS SPOT OR FULL REPLACEMENTS OF EITHER THE FRAME SCREWS, STANDARD BENT CLIPS OR STRAIGHT CLIPS. THEREFORE, ANY ONE OR ALL OF THE FRAME SCREWS/CLIPS SPECIFIED IN THE ELEVATION(S) MAY BE REPLACED WITH 3-PIECE CLIPS.

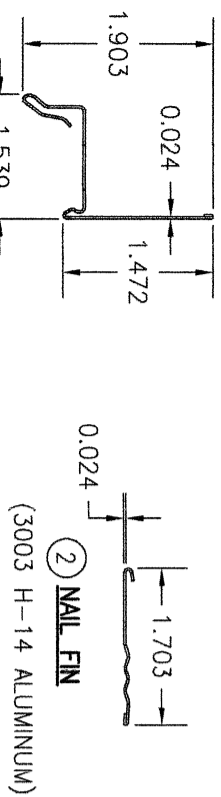


OPTIONAL DIRECT MOUNT DETAIL
TO SUBSTRATE WITH SPACER
(HEAD SECTION SHOWN; SILL & SIDES ARE INSTALLED THE SAME)
(FOR DETAIL NOT SHOWN, SEE OTHER SECTIONS)

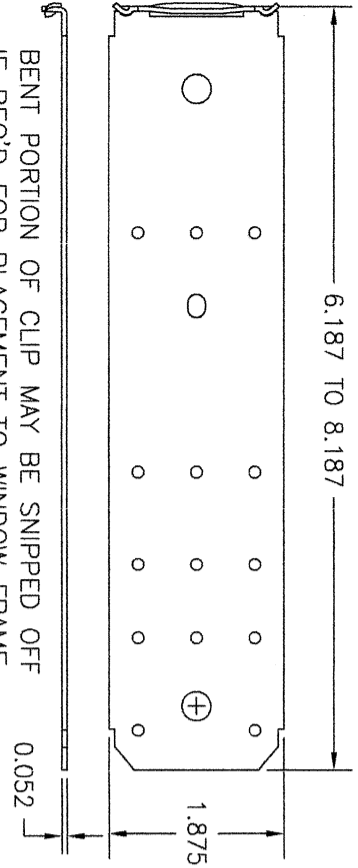
NO.	REVISION DESCRIPTION	BY	DATE

DRAWING TITLE ARTCHITECT CONTEMPORARY/LIFESTYLE W/O HGP NON-IMPACT AWNING & LARGE AWNING WINDOWS		MANUFACTURER  PELLA CORPORATION 102 MAIN STREET PELLA, IA 50219 641-621-1000
CONSULTANTS W. W. SCHAEFER ENGINEERING & CONSULTING, P.A. 25601 AYSEN DRIVE PUNTA GORDA, FL 33983 PHONE: 561-744-3424		CHECKED BY: _____ DATE: 05/08/16

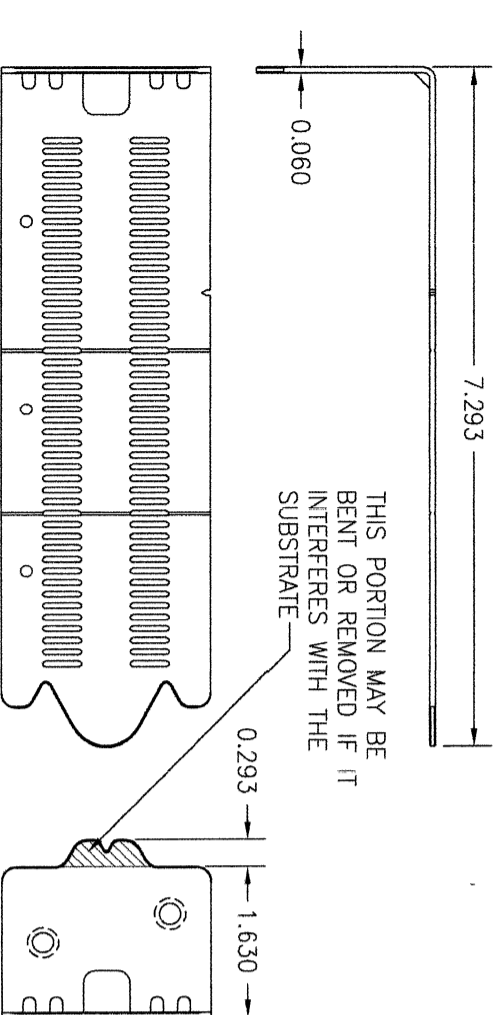
CERTIFICATION WARREN W. SCHAEFER, P.E. P.E. NO. 44135	DRAWING NO. 1921 REV. C	SHEET NO. 3 OF 4
---	----------------------------	------------------



① DRIP CAP NAIL FIN
(3003 H-14 ALUMINUM)

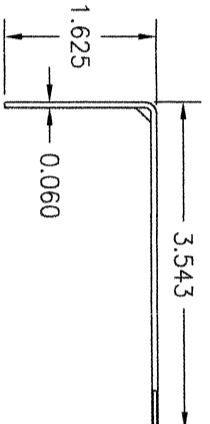


② NAIL FIN
(3003 H-14 ALUMINUM)



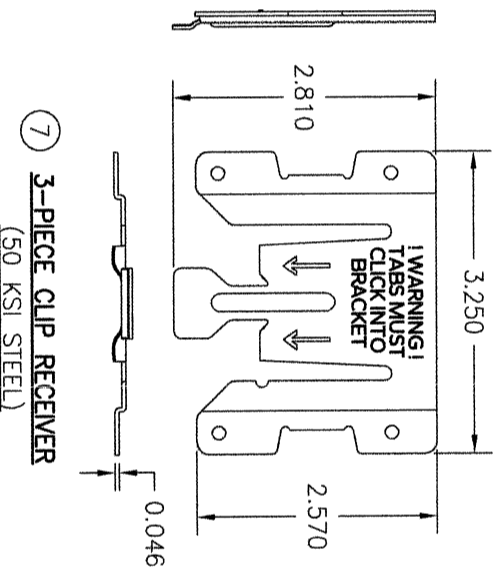
③ FRAME INSTALLATION CLIP
(50 KSI STEEL)

ADJUSTABLE CLIP USED WITH 3-PIECE CLIP SYSTEM

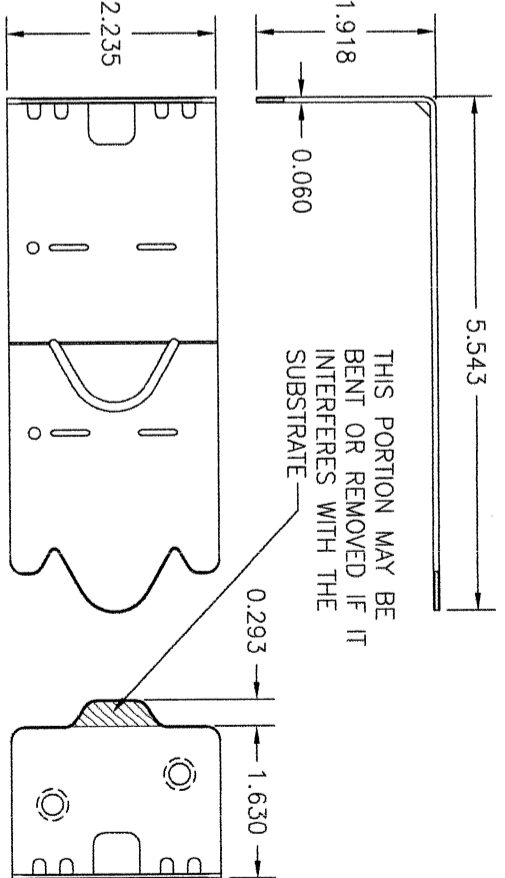


④ FRAME INSTALLATION CLIP
(50 KSI STEEL)

SHORT CLIP USED WITH 3-PIECE CLIP SYSTEM
(TYPICALLY USED WITH 2X4 BUCK SUBSTRATE)

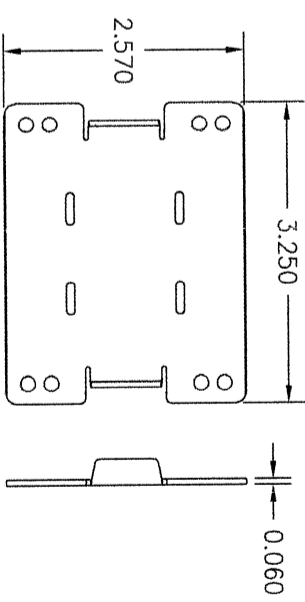


⑦ 3-PIECE CLIP RECEIVER
(50 KSI STEEL)



⑤ FRAME INSTALLATION CLIP
(50 KSI STEEL)

LONG CLIP USED WITH 3-PIECE CLIP SYSTEM
(TYPICALLY USED WITH 2X6 BUCK SUBSTRATE,
BUT MAY ALSO BE USED WITH 2X4)



⑧ 3-PIECE CLIP BASE
(33 KSI STEEL)

NO.	REVISION DESCRIPTION	BY	DATE

DRAWING TITLE: ARCHITECT CONTEMPORARY/LIFESTYLE W/O HGP NON-IMPACT AWNING & LARGE AWNING WINDOWS

CONSULTANTS: W. W. SCHAEFER ENGINEERING & CONSULTING, P.A.
25601 AYSEN DRIVE, PUNTA GORDA, FL 33983, PHONE: 561-744-3424

MANUFACTURER: PELLA CORPORATION
102 MAIN STREET, PELLA, IA 50219, 641-621-1000

CERTIFICATION: WARREN W. SCHAEFER, P.E., P.E. NO. 44135